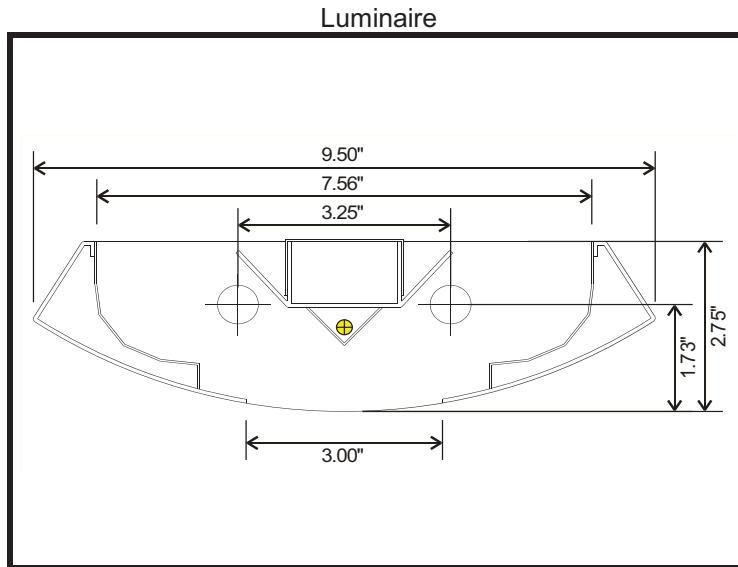




Luminaire Description: Formed white enamel steel and aluminum housing, formed specular aluminum reflectors, open top, open bottom
Catalog Number: 950S (2 T5 Lamps)
Lamp: Two horizontal 54 watt high output T5 linear fluorescent lamps rated at 4400 lumens each
Lamp Catalog Number: Philips F54T5/841/HO/ALTO
Mounting: Pendant
Ballast/Driver: One Keystone KTEB-254HO-UV-PS-SL



Zonal Lumen Summary

Table with 4 columns: Zone (Degrees), Lumens, % of Lamp, % of Luminaire. Rows include zones from 0-30 to 0-180 degrees.

Test Conditions

Test Temperature: 24.4 °C
Voltage: 277.0 VAC
Current: 0.4063 A
Power: 111.3 W
Power Factor: 0.989
Frequency: 60 Hz
Current THD: 6.20 %

Summary of Results

Luminaire Efficiency: 89.3 %
CIE Type: Semi-Indirect

Spacing Criterion: 0 Degree: 1.25 90 Degree: 1.61
180 Degree: 1.25 270 Degree: 1.61