

SERIES L3D

Joiner band and support bracket
for continuous runs



ACCOMMODATES 1 OR 2-ROW
LED BOARDS



DESIGNED FOR
LED_s

Application

- Pendant
- Recessed with flange kit/mud flange kit
- Surface mounted with flange kit
- Drop ceiling for $\frac{5}{8}$ " or $\frac{15}{16}$ " grids

Finishes

- Bare (customer to source local powder coat facilities)
- Post-powder coat - contact factory

Diffusor

- Snap-in Durayl® LED Acrylic

Features

- Luminaires with standard 2', 4', and 8' sizes with special lengths optional
- Can accommodate (1) or (2) row LED boards, (1) or (2) LED T-5 or T-8 lamps
- Internal joiner for continuous runs
- Contact factory for mud flange options
- Ends are welded

Optional Features

Custom modifications in the physical specification and color are available for this fixture.

LAMPING OPTIONS

LED BOARDS	LED T5	LED T8
2' (1 or 2) 2' boards	2' (1 or 2) lamps	2' (1 or 2) lamps
4' (1 or 2) 4' boards	4' (1 or 2) lamps	4' (1 or 2) lamps
8' (2 or 4) 4' boards (T)	8' (2 or 4) lamps (T)	8' (2 or 4) lamps (T)

(T) Tandem

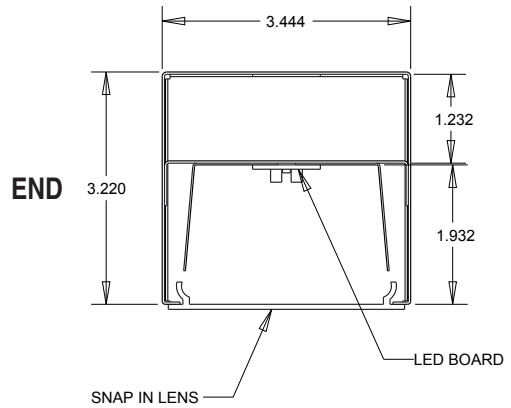
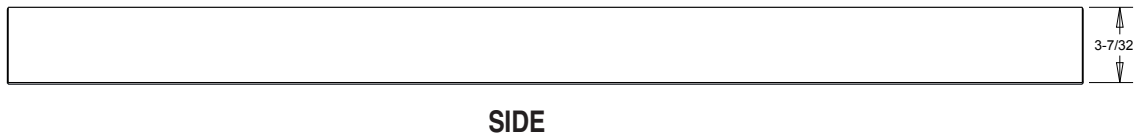
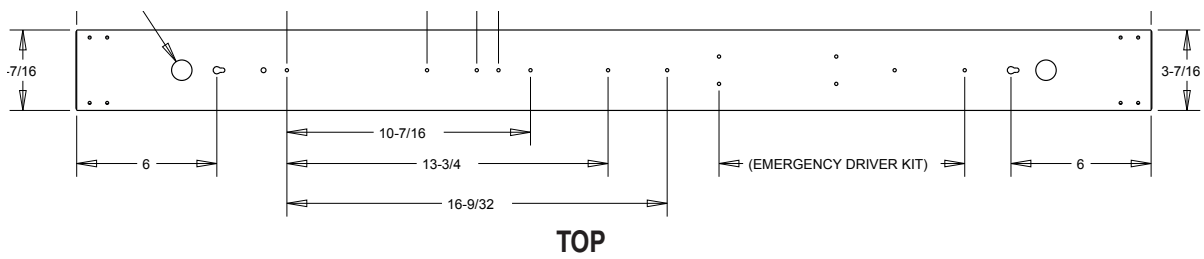
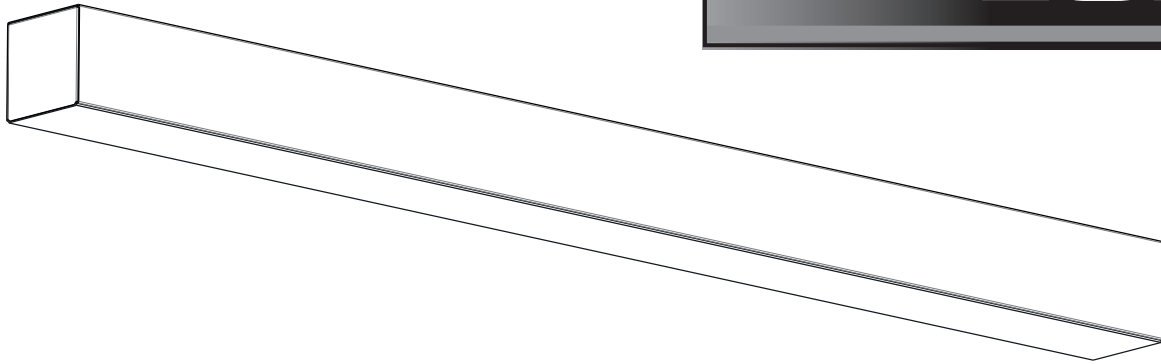
Specifications subject to change without notice.



Adam Metal Products Company • P.O. Box 450 • Ledgewood, NJ • 07852
Phone: 973.770-1100 • Fax 973.770-1105 • www.adammetal.com



SERIES L3D



LED BOARDS	LED T5	LED T8
2' (1 or 2) row (24 $\frac{1}{4}$ "	2' (1 or 2) lamps (22 $\frac{7}{16}$ "	2' (1 or 2) lamps (24"
4' (1 or 2) row (46 $\frac{1}{4}$ "	4' (1 or 2) lamp (46 $\frac{1}{4}$ "	4' (1 or 2) lamp (48 $\frac{3}{16}$ "
8' (1 or 2) row (92 $\frac{1}{2}$ "	8' (1 or 2) lamp (92 $\frac{1}{2}$ "	8' (1 or 2) lamp (96 $\frac{3}{8}$ "

Specifications subject to change without notice.

REV 6-22-2018



Adam Metal Products Company • P.O. Box 450 • Ledgewood, NJ • 07852
Phone: 973.770-1100 • Fax 973.770-1105 • www.adammetal.com

