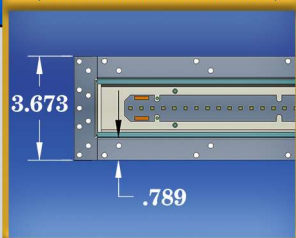


SERIES L2D

DESIGNED FOR
LED_s

Snap-in Durayl® LED Acrylic Diffuser

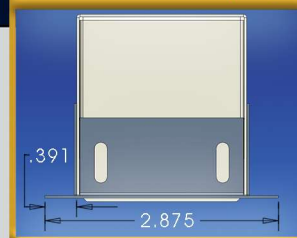
Galvanized Mud Kits
(Shown from bottom view)



Trim/Flange Kits
(Custom Kits Available)



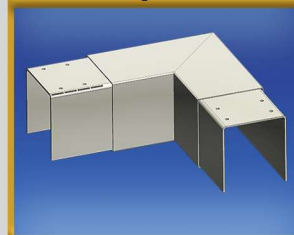
T-Grid P.P.W. (3")



Joiner Band/Support Bracket
Allows Continuous Runs



**90° Joiner Allows Square
and Rectangle Assemblies**



Application

- Surface/Suspended
- Recessed
- Wall Mount
- Square/Rectangle (90° corner joiners)

Finishes

- Bare (customer to source local finishing)
- Post-powder coat - contact AMP
- Pre-paint White

Features

- 4'(46", 48"), 8'(92", 96") **Standard Lengths**
(or custom lengths available upon request)
- Contact AMP** if using **continuous runs**
- Can accommodate (1) row LED board
- Can accommodate (1) lamp T5

LED & Lamping

- LED Boards (1 row per length)
- T5 (1 lamp per length)

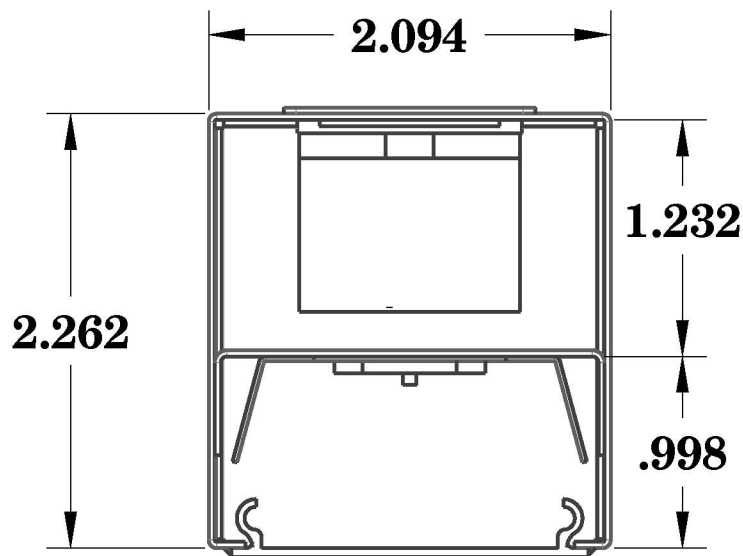
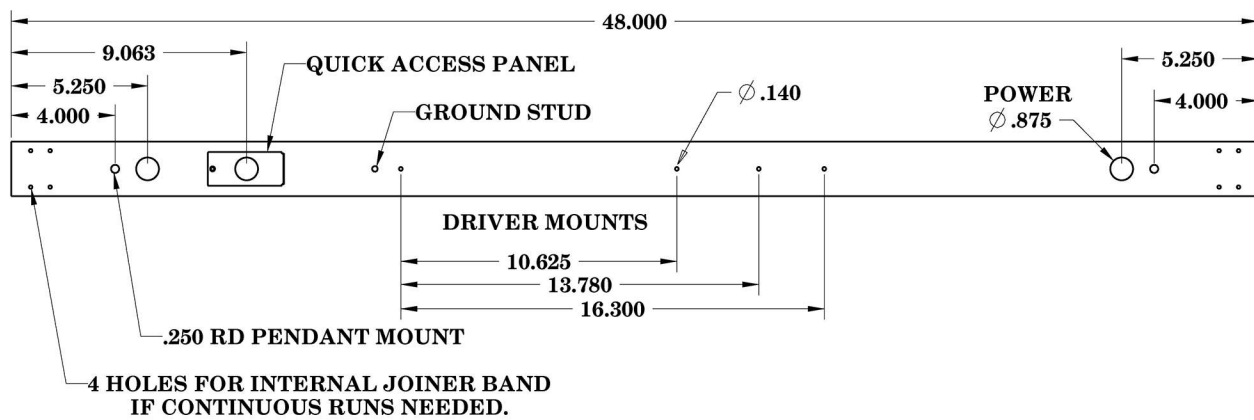
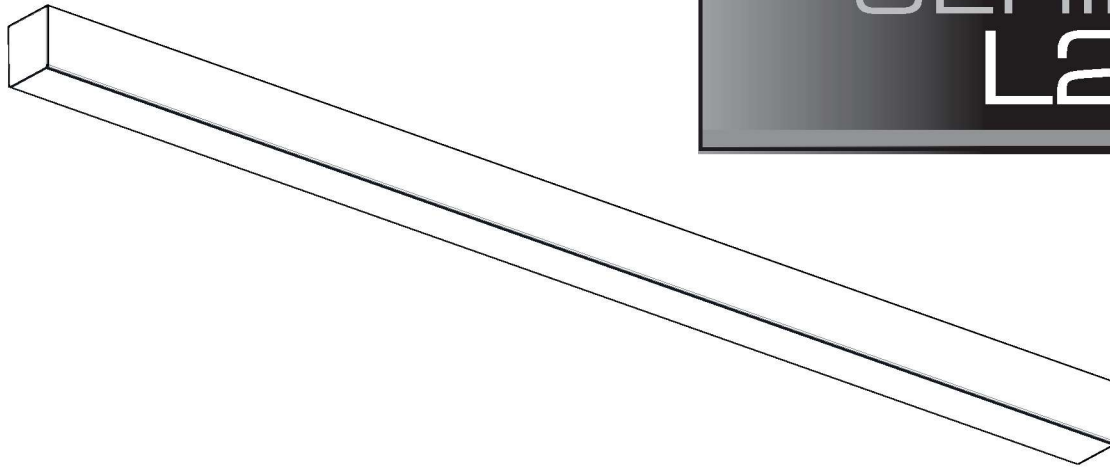
Specifications subject to change without notice.



Adam Metal Products Company • P.O. Box 450 • Ledgewood, NJ • 07852
Phone: 973.770-1100 • Fax 973.770-1105 • www.adammetal.com



SERIES L2D



LED/LAMPING

LED BOARDS

LED T5

4' 1-Row (46" 48")

4' 1-Lamp (46")

8' 1-Row (92" 96")

8' 2-Lamp (92")

(T) Tandem

Specifications subject to change without notice.

Rev 2-6-2020



Adam Metal Products Company • P.O. Box 450 • Ledgewood, NJ • 07852
Phone: 973.770-1100 • Fax 973.770-1105 • www.adammetal.com

