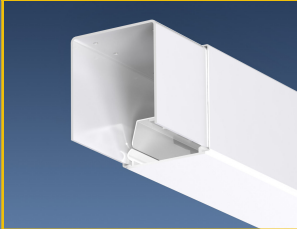


SERIES L2D



INTERNAL JOINER
FOR CONTINUOUS RUNS



RECESSED FLANGE KIT



DESIGNED FOR
LED_s

Application

- Pendant
- Recessed with flange kit/mud flange kit
- Surface mounted with flange kit
- Drop ceiling for $\frac{5}{8}$ " or $\frac{15}{16}$ " grids

Finishes

- Bare (customer to source local powder coat facilities)
- Post-powder coat - contact factory

Diffusor

- Snap-in Durayl® LED Acrylic

Features

- Luminaires with standard 2', 4', and 8' sizes with special lengths optional
- Can accommodate (1) row LED board
- Internal joiner for continuous runs
- Contact factory for mud flange options
- Ends are welded

Optional Features

Custom modifications in the physical specification and color are available for this fixture.

LAMPING OPTIONS

LED BOARDS	LED T5
2' (1) 2' board	2' 1-Lamp
4' (1) 4' board	4' 1-Lamp
8' (2) 4' boards (T)	8' 2-Lamp (T)

(T) Tandem

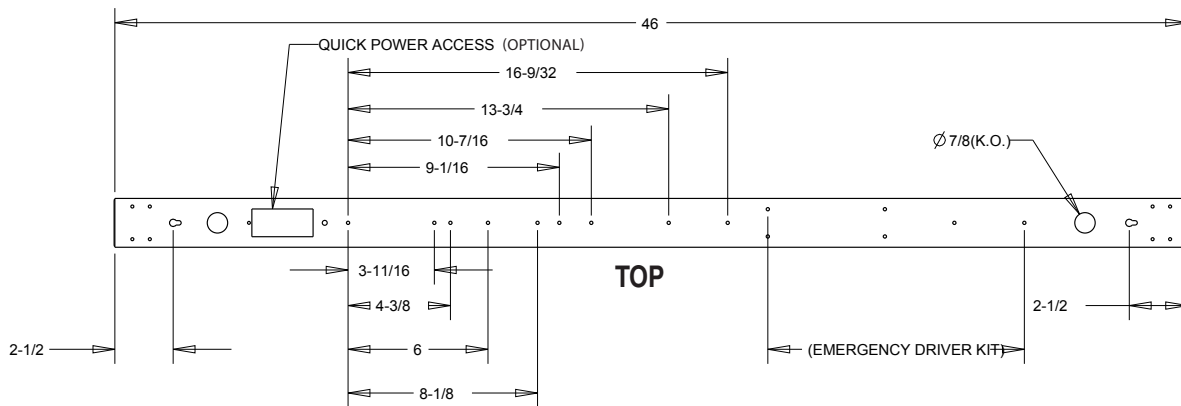
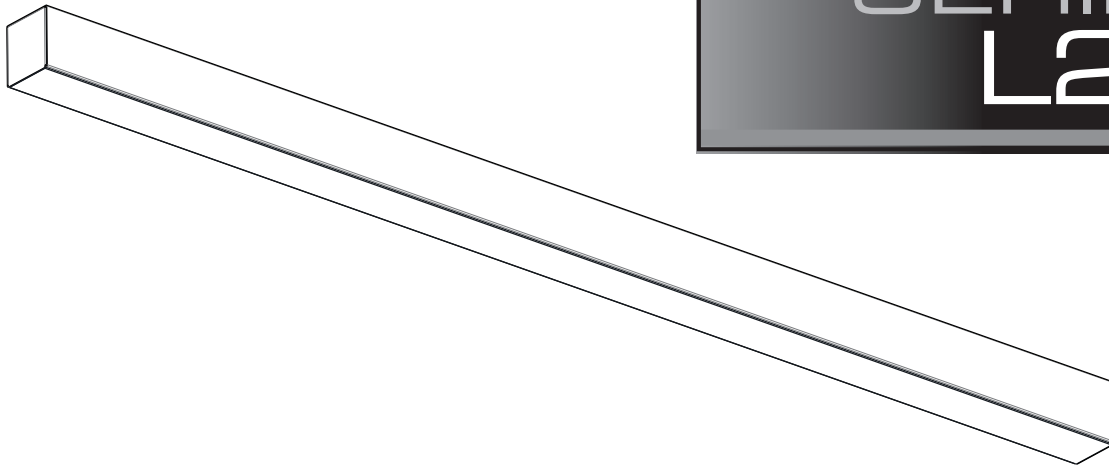
Specifications subject to change without notice.
Durayl® is a trademark of Pexco



Adam Metal Products Company • P.O. Box 450 • Ledgewood, NJ • 07852
Phone: 973.770-1100 • Fax 973.770-1105 • www.adammetal.com



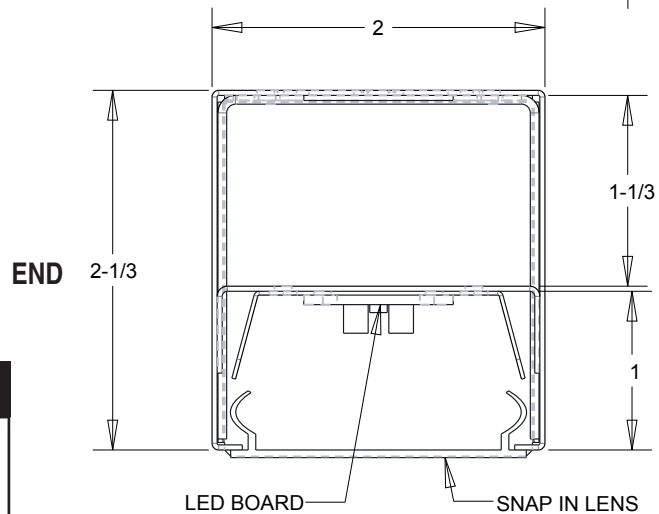
SERIES L2D



BOTTOM



SIDE



END

LED BOARDS

2' 1-row (24 1/4")
 4' 1-row (46 1/6")
 8' 1-row (92 1/8") (T)

LED T5

2' 1-Lamp (22 7/16")
 4' 1-Lamp (46 1/6")
 8' 2-Lamp (92 1/8") (T)

(T) Tandem

Specifications subject to change without notice.

REV 6-22-2018



Adam Metal Products Company • P.O. Box 450 • Ledgewood, NJ • 07852
 Phone: 973.770-1100 • Fax 973.770-1105 • www.adammal.com

