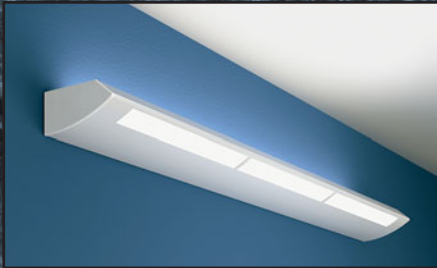


# SERIES 886

## LINEAR WALL MOUNT

### SLOTTED



#### **Application**

- Wall mount indirect luminaire with forward throw optics
- Sconce applications for hospitality, rest rooms, corridors and small offices
- Slotted openings accept Light Control Film from Lexalite, an ALP Company
- Openings could accept graphics for direction and location
- 2 ft and 3 ft versions are stand alone "sconces"

#### **Finishes**

- Housing: unpainted/unfinished formed steel housing in slotted patterns
- Customer to source local powder coating facilities for housing and die cast aluminum end caps

#### Reflector (optional):

- Enhanced forward throw aluminum
- Also available in white forward throw steel

#### **Features**

- Units are shipped with die cast aluminum joiners installed for structural continuity and for attaching other units for continual runs or end caps.
- The units mount to a wall bracket that compensates for uneven surfaces and allows for recessed electrical boxes. The brackets are 25 1/2"; 37 1/2" or 48 3/4" and two of the 48 3/4" brackets are required for the eight foot housing.
- A computer designed optical system maximizes the output of the (2) T8 or (2) T5 lamps (Series 856) producing minimal back light and maximum forward throw.
- Ballast mounting assembly allows for easy installation separate from housing and then installs with two fasteners.
- Architectural die cast chamfered aluminum ends are available for a complete designer look without exposed fasteners.

#### **Optional Features**

Custom modifications in the physical specification are available for a complete designer look. Check with the factory for motion/sound sensors.

#### **Lamping Options**

<b>T8</b>	
(2)	17W (2')
(2)	25W (3')
(2)	32W (4')
(4)	32W (8')

Check with factory for LED and LED/fluorescent applications.

<b>Packaging</b>	<b>4'</b>	<b>8'</b>
<b>Bodies per skid</b>	50	50

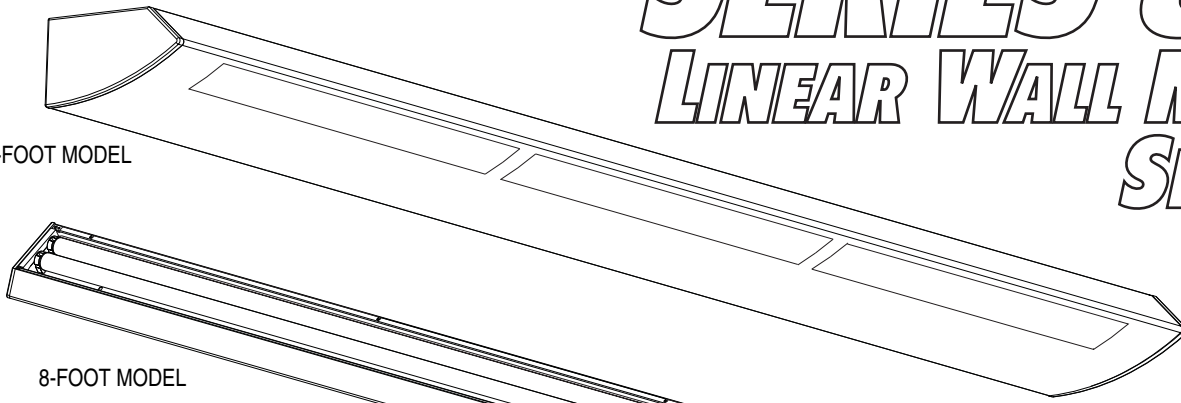


# SERIES 886

## LINEAR WALL MOUNT

### SLOTTED

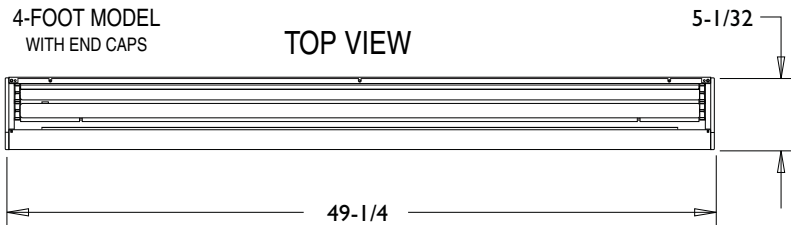
4-FOOT MODEL



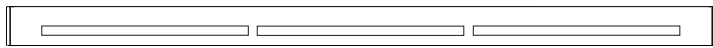
8-FOOT MODEL

4-FOOT MODEL  
WITH END CAPS

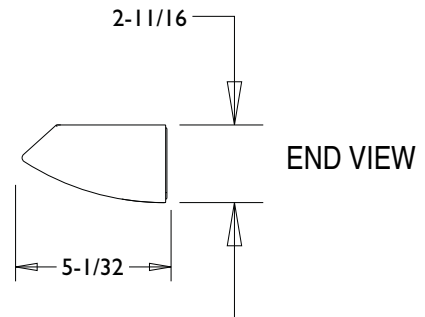
TOP VIEW



FRONT VIEW



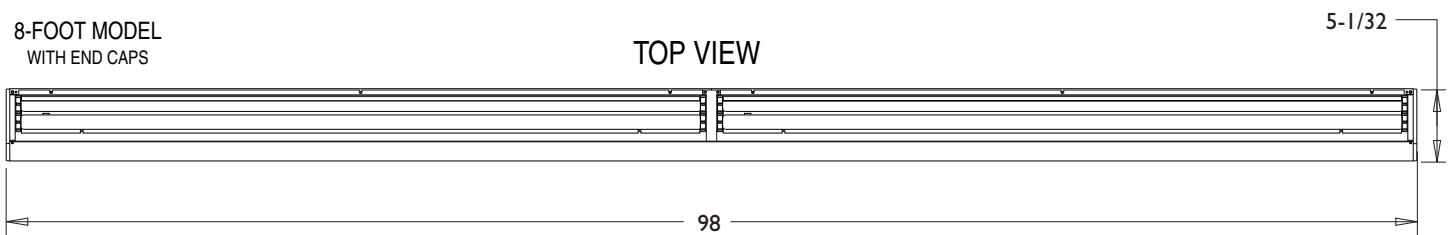
2-11/16



END VIEW

8-FOOT MODEL  
WITH END CAPS

TOP VIEW



FRONT VIEW



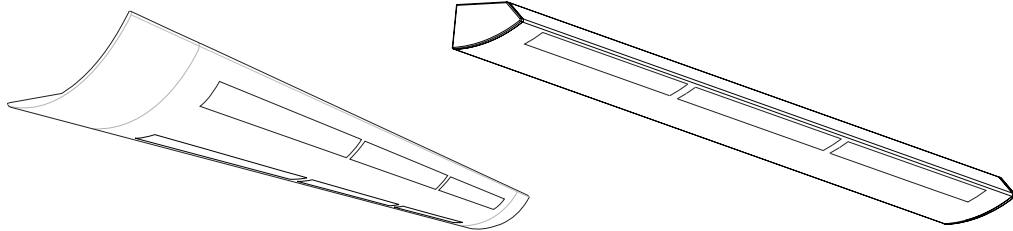
**T8**

SIZE	LENGTH
(2) 17W	25-3/4
(2) 25W	37-3/4
(2) 32W	49-1/4
(4) 32W	98

REV 1-30-09



## **PAINING PROCEDURES FOR SUSPENDED & WALL MOUNT LINEAR FIXTURES**



### **SEND THESE PROCEDURES WITH FIXTURES TO THE PAINTER**

#### **PROCEDURES:**

1. Make sure end caps are mounted to the body before painting.
2. If no end caps are needed, make sure you mask off the outside face of the joiner before painting. This will assure a good fit between joiners.
3. Make sure the painter is aware that the body is steel and the end cap and joiner are aluminum cast.
4. The painter should check the gap between the end cap and joiner to make sure there is a good fit and that there are no gaps before painting. Close gaps by pushing the end cap towards the body.



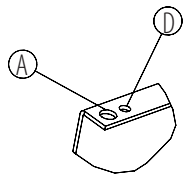
# Adam Metal Products Company Series 856/886 Assembly Instructions

## ASSEMBLY INSTRUCTIONS

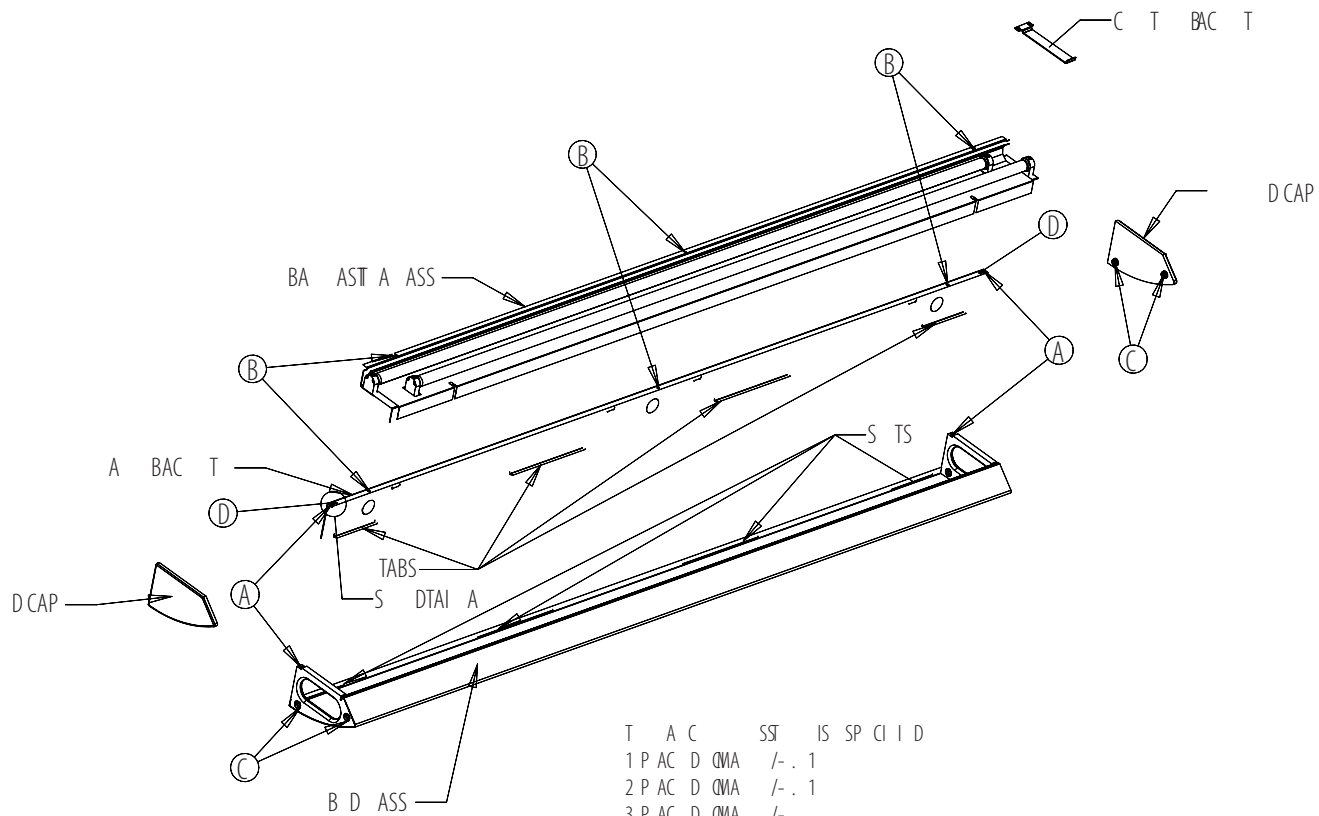
1. Mount wall bracket to wall using a level or laser making sure bracket is level.
2. Mount body assembly to wall bracket by inserting slots into tabs on wall bracket. Attach body assembly using #8 x 1/4 sheetmetal screws (D). See Detail A (2 4-foot wall brackets for one 8-foot assembly).
3. Attach end caps to body assembly using 8-32 x 1/4" screw (C).
4. Install ballast tray assembly to wall bracket using #8 x 1/4" sheetmetal screw (B).

## HARDWARE LIST (by others)

- (A) #8 x 1/4 Self Tapping Screw (2 pcs.)
- (B) #8 x 1/4 Sheetmetal Screw (3 pcs.)
- (C) 8-32 x 1/4 Machine Screw (used with end caps) (2 pcs.)
- (D) #8 x 1/4 Sheetmetal Screw (2 Pcs.)



DETAIL A  
SCALE 0.750





# Adam Metal Products Company Series 856/886 Assembly Instructions

## ASSEMBLY INSTRUCTIONS

1. Mount ballast to the ballast tray.
2. Insert sockets to ballast tray.
3. Mount reflector to ballast tray with #8 x 1/4 sheetmetal screws (2 Pls).
4. Install ballast tray assembly to wall bracket using #8 x 1/4" sheetmetal screw (B).

## RECOMMENDED SOCKETS

### T5/G5

Stucchi: 268

Vossloh: 108660

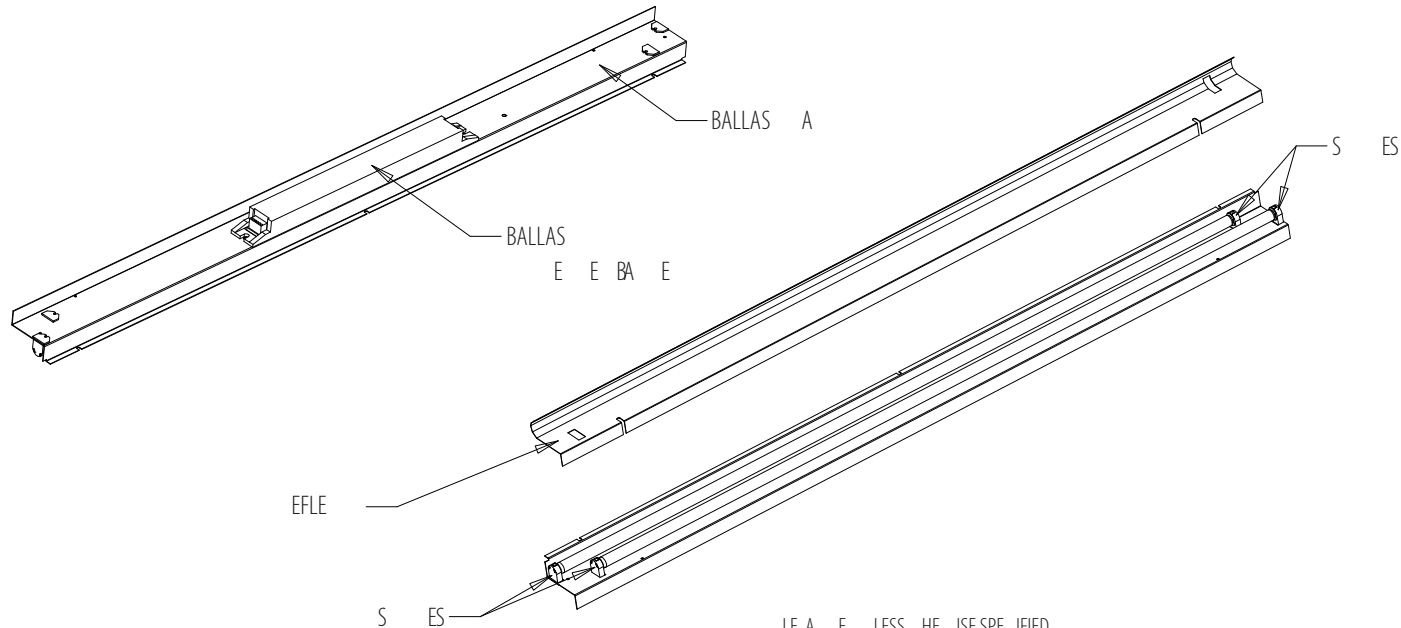
BJB: 26.620.2004.50

ALP: LH150-11

Etlin Daniels: FL622-L

### T8

Vossloh: 509138



LE A E LESS HE ISESPE IFIED  
 1 PLA EDE MAL /- .015  
 2 PLA EDE MAL /- .010  
 3 PLA EDE MAL /- .005

