

SERIES 885

LINEAR WALL MOUNT



Application

- Companion luminaire to the 880 suspended linear luminaires
- Wall mount indirect luminaire with forward throw optics
- Corridors or small offices needing indirect lighting
- Hospital corridors

Finishes

- Housing: unpainted/unfinished formed steel housing in solid or perforated patterns
- Customer to source local powder coating facilities for housing and die cast aluminum end caps

Reflector (optional):

- Enhanced forward throw aluminum
- Also available in white forward throw steel

Features

- Units are shipped with die cast aluminum joiners installed for structural continuity and for attaching other units for continual runs or end caps.
- The units mount to a wall bracket that compensates for uneven surfaces and allows for recessed electrical boxes. The wall brackets are 48-3/4 long and two are needed with an eight foot housing.
- A computer designed optical system maximizes the output of (2) T8 or (2) T5 (Series 855) lamps, producing minimal back-lighting on the wall and maximum forward throw.
- Ballast mounting assembly allows for easy installation separate from housing and then installs with two fasteners.
- Architectural die cast chamfered aluminum ends are available for a complete designer look without exposed fasteners.

Optional Features

Custom modifications in the physical specification are available for a complete designer look. Check with the factory for motion/sound sensors.

Lamping Options

T8
(2) 32W (4')
(4) 32W (8')

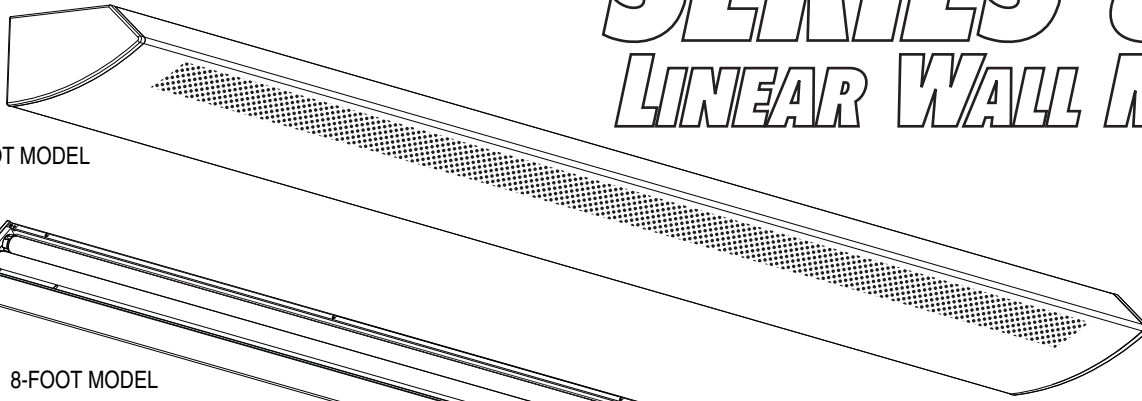
Check with factory for LED and LED/fluorescent applications.

Packaging	4'	8'
Bodies per skid	64	64

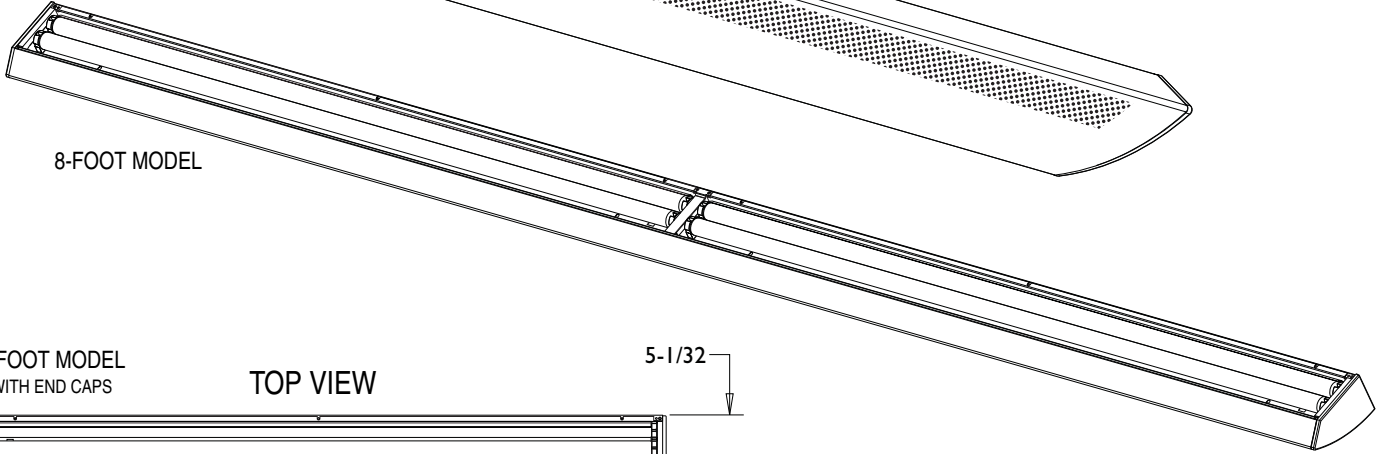


SERIES 885 LINEAR WALL MOUNT

4-FOOT MODEL



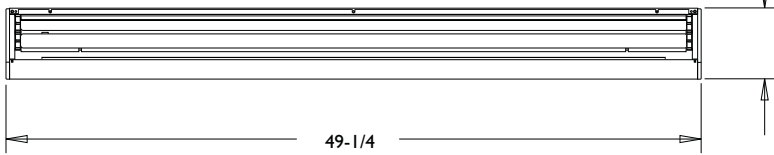
8-FOOT MODEL



4-FOOT MODEL
WITH END CAPS

TOP VIEW

5-1/32

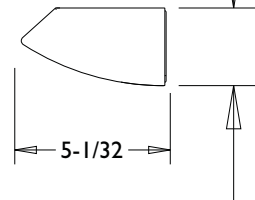


49-1/4

FRONT VIEW



2-11/16



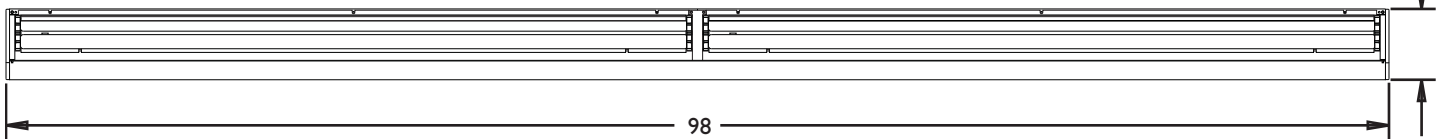
END VIEW

5-1/32

8-FOOT MODEL
WITH END CAPS

TOP VIEW

5-1/32



98

FRONT VIEW

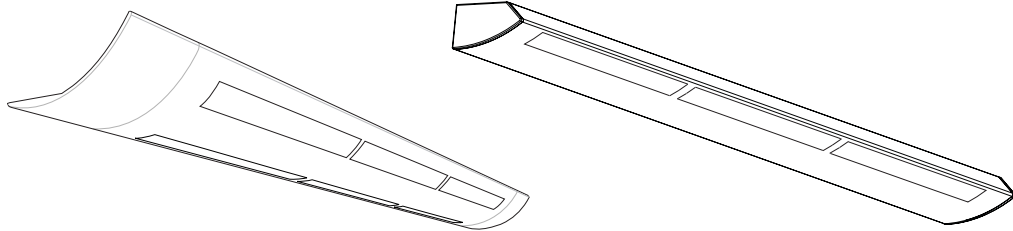


T8	
SIZE	LENGTH
(2) 32W	49-1/4
(4) 32W	98

REV 1-30-09



PAINING PROCEDURES FOR SUSPENDED & WALL MOUNT LINEAR FIXTURES



SEND THESE PROCEDURES WITH FIXTURES TO THE PAINTER

PROCEDURES:

1. Make sure end caps are mounted to the body before painting.
2. If no end caps are needed, make sure you mask off the outside face of the joiner before painting. This will assure a good fit between joiners.
3. Make sure the painter is aware that the body is steel and the end cap and joiner are aluminum cast.
4. The painter should check the gap between the end cap and joiner to make sure there is a good fit and that there are no gaps before painting. Close gaps by pushing the end cap towards the body.



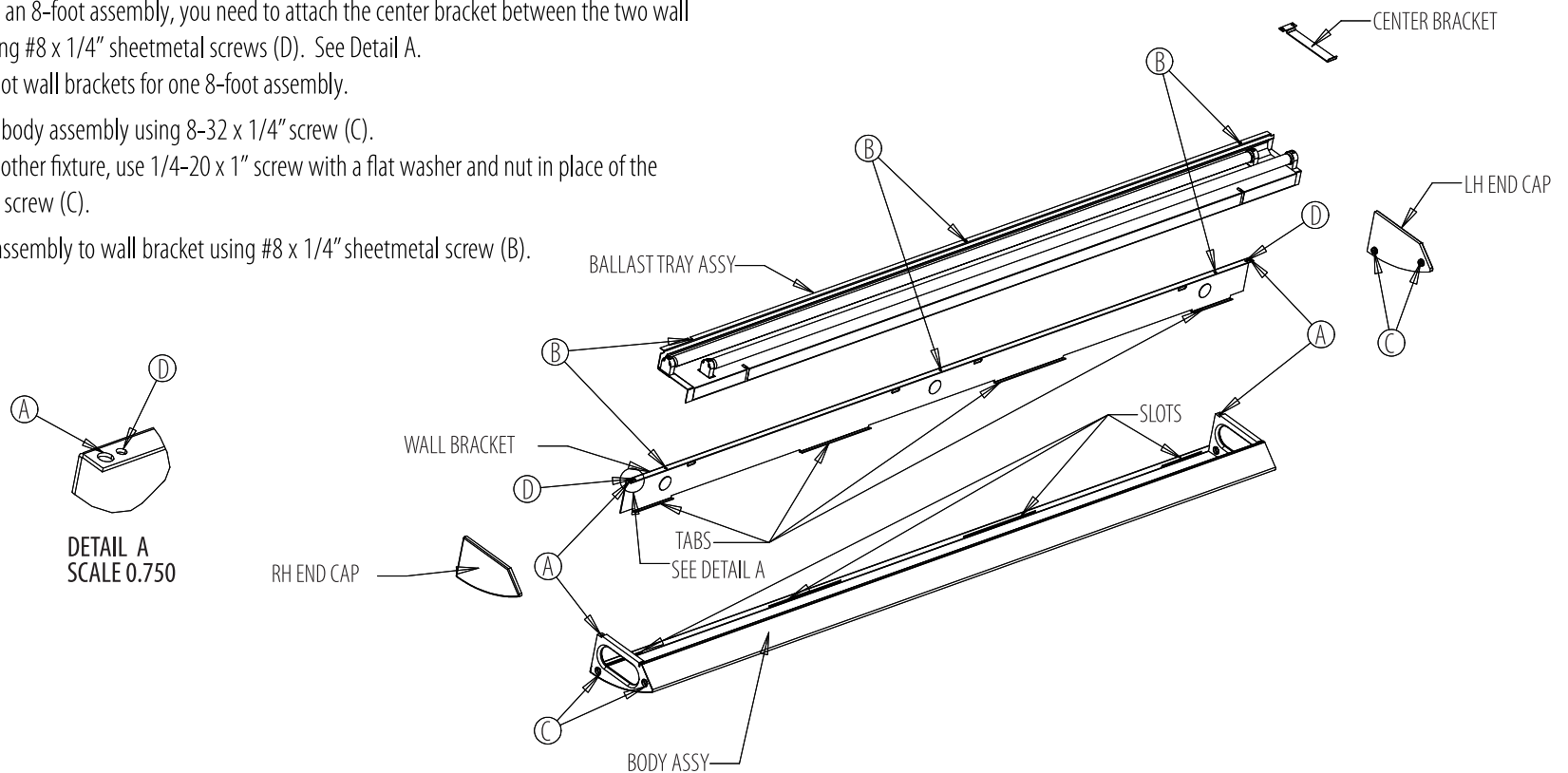
Adam Metal Products Company Series 855/885 Assembly Instructions

ASSEMBLY INSTRUCTIONS

1. Mount wall bracket to wall using a level or laser making sure bracket is level.
NOTE: If running consecutive fixtures, mount wall brackets butting up to each other.
Use two wall brackets for one 8-foot fixture.
2. Mount body assembly to wall bracket by inserting slots into tabs on wall bracket. Attach body assembly using #8 x 1/4 self-tapping screw (A). See Detail A (two 4-foot wall brackets for one 8-foot assembly).
NOTE: When using an 8-foot assembly, you need to attach the center bracket between the two wall brackets using #8 x 1/4" sheetmetal screws (D). See Detail A.
Use (2) 4-foot wall brackets for one 8-foot assembly.
3. Attach end caps to body assembly using 8-32 x 1/4" screw (C).
NOTE: If joining another fixture, use 1/4-20 x 1" screw with a flat washer and nut in place of the 8-32 x 1/4" screw (C).
4. Install ballast tray assembly to wall bracket using #8 x 1/4" sheetmetal screw (B).

HARDWARE LIST (by others)

- (A) #8 x 1/4 Self Tapping Screw (2 pcs.)
- (B) #8 x 1/4 Sheetmetal Screw (3 pcs.)
- (C) 8-32 x 1/4 Machine Screw (used with end caps) (2 pcs.)
- * (C) 1/4- 20 X 1 with Flat Washer & Nut (Attaching Fixture) (2 Pcs)
- (D) #8 x 1/4 Sheetmetal Screw (2 Pcs.)





Adam Metal Products Company Series 855/885 Assembly Instructions

ASSEMBLY INSTRUCTIONS

1. Mount ballast to the ballast tray.
2. Insert sockets to ballast tray.
3. Mount reflector to ballast tray with #8 x 1/4 sheetmetal screws (2 Pls).
4. Install ballast tray assembly to wall bracket using #8 x 1/4" sheetmetal screw (B).

RECOMMENDED SOCKETS

T5/G5

Stucchi: 268

Vossloh: 108660

BJB: 26.620.2004.50

ALP: LH150-11

Etlin Daniels: FL622-L

T8

Vossloh: 509138

