

SERIES 800 HIGH/LOW BAY



OPTIONS

STYLIZED FRAME W/LOUVER



WIRE GUARD



HINGED FRAME



WIRE GUARD CLIPS



OPTIONS

Application

- Low bay/high bay warehouses/manufacturing facilities
- Sport facilities and multifunction rooms
- Big box stores and retail facilities

Finishes Available

Frame:

- Standard in white CRS

Reflectors:

- Aluminum enhanced 95% reflectance
- White steel 86% reflectance

Features

- Ceiling mounted or suspended with cables, stems or chains by others
- Reflectors available with 5% up-light or 100% down-light
- Individual computer designed reflectors install with quarter-turn fasteners (provided)
- Frame accommodates 4 or 6 T5HO lamps; 4 or 6 T8 lamps or a combination of T5HO and T8 lamps
- Space available for 4 ballasts, motion sensors and remote control switching.
- Only 2 1/2"H X 22 1/2"W X 50"L and weighs 18 pounds without ballasts.

Optional Features

- Optional stylized frame available that will accommodate louvers and lenses for low bay application. Hinged torsion springs for re-lamping.
- Optional 11-gauge wire guard with clips for hinging. Can be used with the stylized frame.
- Luminaire can be differentiated to accommodate your design objectives

Custom modifications in the physical specification and color are available for this fixture.

Lamping Options

T5HO	T8
(4) 54W	(4) 32W
(6) 54W	(6) 32W

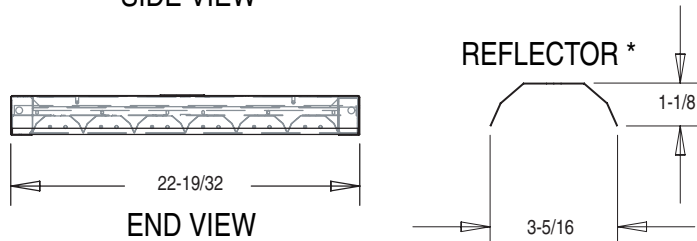
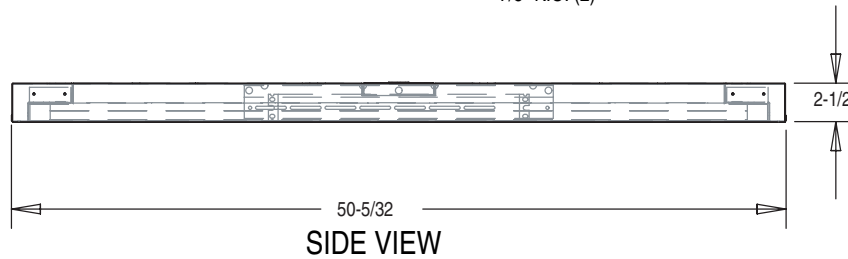
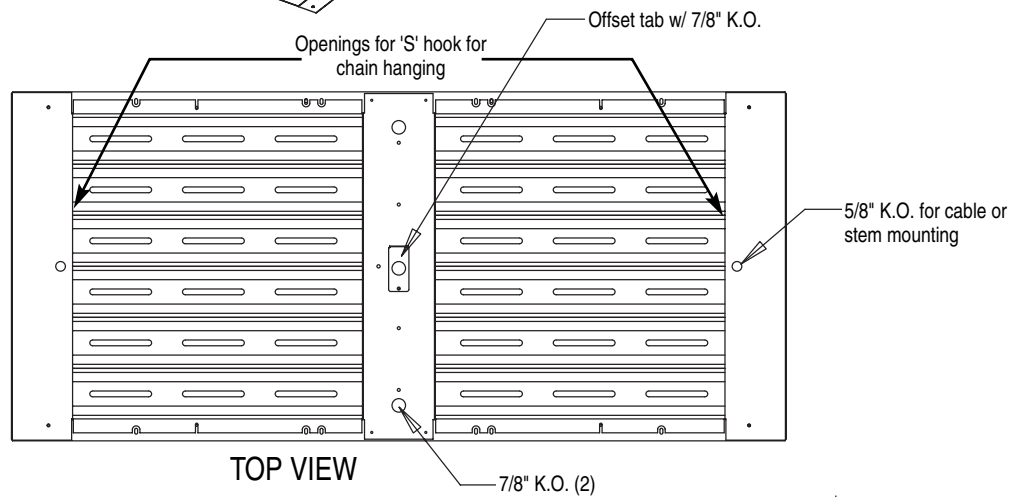
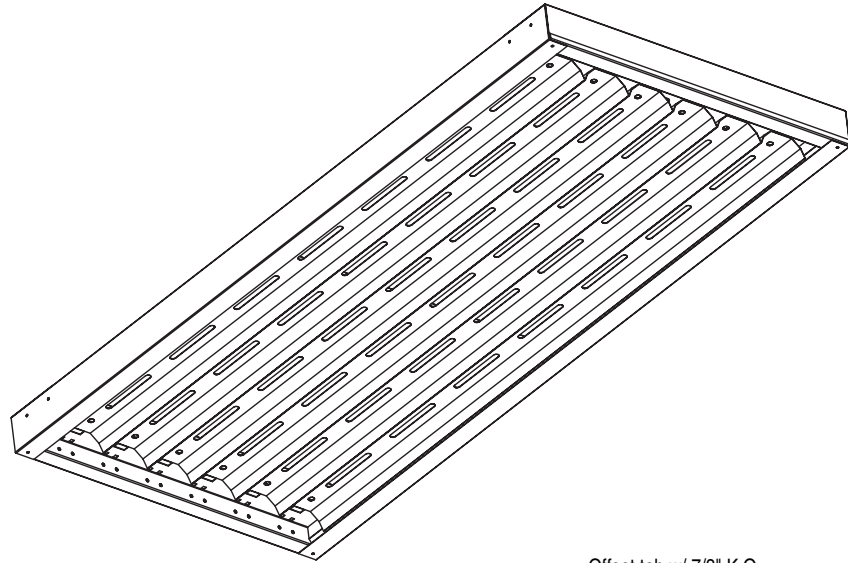
Packaging

Bodies	2
Reflectors	12

PATENT APPLIED FOR



SERIES 800 HIGH/LOW BAY



Lamping Options	
T5HO	T8
(4) 54W	(4) 32W
(6) 54W	(6) 32W

* Reflector with or without 5% up light

REV 3-1-05





HARDWARE LIST

- (A) = 8-32 Sheetmetal Screw 1/4 Long (13 Pcs.)
- (B) = 8-32 Machine Screw 1/4 Long (4 Pcs.)
- (C) = 8-32 Flat Washer (4 Pcs.)
- (D) = Snap Bushing (6 Pcs.) / Heyco Part# 2813
- (E) = 1/4 Turn Fastener (12 Pcs.) / Supplied

INSTALLATION INSTRUCTIONS

- 1.) Take Reflectors out of assembly.
- 2.) Mount and Wire Assembly.
You can use multiple mounting options.
Chain, Flush, Cable etc...
- 3.) After assembly is mounted safely you can install Reflectors and lamp fixture.

ASSEMBLY INSTRUCTIONS

- 1.) Mount Ballast to the ballast bracket.
- 2.) Mount Ballast Bracket (s) to frame with (B)
- 3.) Insert Snap Bushings (D)
- 4.) Feed wires through for sockets and power.
- 5.) Insert Center Cover over Center Support on Frame with (A).
- 6.) Insert Side Frames Covers to Frame Assy with (A).
- 7.) Insert End Covers to Frame Assy with hardware (A).
- 8.) Flip assembly and mount Reflectors with (E).

NOTE:

Peel protective coating off Reflector before hanging the fixture.

NOTE:

If using Ballast Bracket at the ends of the Side Frame, mount with 8-32 X 1/4) Self Tapping screws instead of 8-32 sheetmetal screws.

NOTE:

When using T8 Lamps use grommets to plug off T5 Socket Hole. Grommets can be purchase at Gaynor Corp. (203) 378-5545 (Part # WG-2)

RECOMMENDED SOCKETS

T8/G13
Stucchi - 1345/FAU-9.5
Vossloh - 101749
BJB - 26.422.1009.50
ALP - LH300-28
Etlin Daniels - FL421

T5/G5
Stucchi - 268
Vossloh - 108660
BJB - 26.620.2004.50
ALP - LH150-11
Etlin Daniels - FL622-L

