

# SERIES 320

## SNAP-TOGETHER



### Application

- Single Lamp Undercabinet
- Companion to Series 319, 324 and 326

### Finish

- White

### Features

- Snap-Together body and ballast cover
- No fasteners
- Installed green ground stud
- UL flexible cable connector
- K.O. for C.O. and rocker switch

### Diffuser Options

- Ribbed white acrylic - standard
- Two-tone opaque front acrylic

### Optional Features

Custom modifications in the physical specification and color are available for this fixture.

### Lamping Options

T12	T8	T5	CFL
-	-	(1) 8W	-
-	-	(1) 13W	-
-	-	(1) 14W	-
-	-	(2) 8W (T)	-
-	-	8W+13W (T)	-
-	-	(1) 21W	-
-	-	(2) 13W (T)	-
-	-	(1) 28W	-

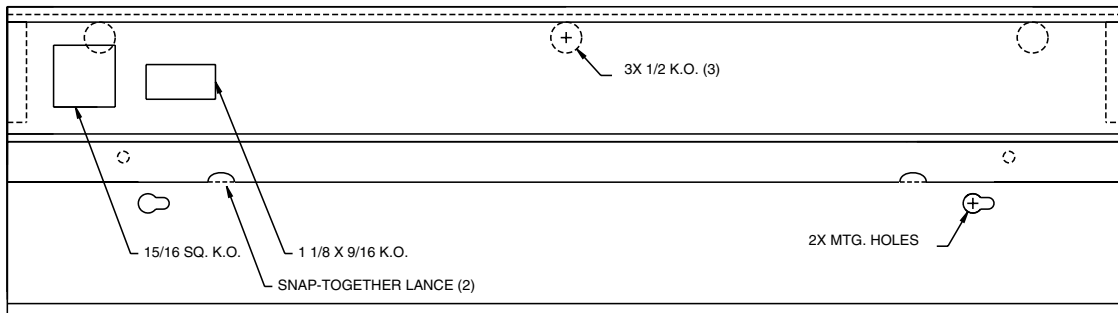
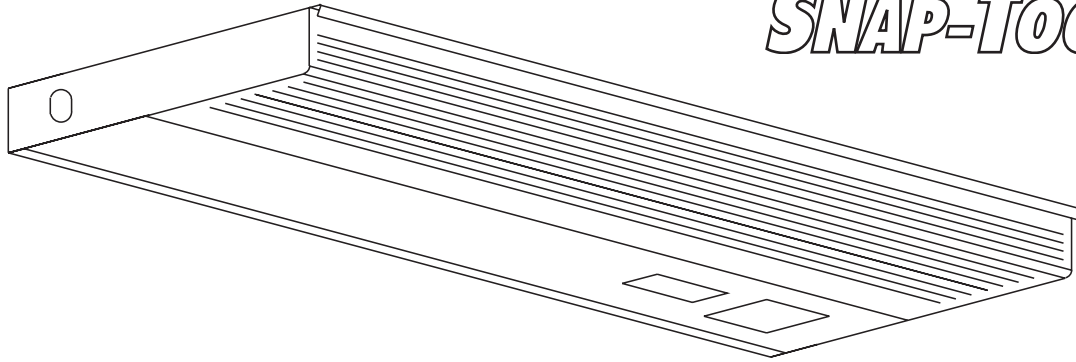
(T) Tandem

Packaging	8W	13W	14W	(2)8W	8+13W
<b>Bodies</b>	36	36	18	18	18
<b>Diffusers</b>	144	144	72	72	72
	<b>21W</b>	<b>(2)13W</b>	<b>28W</b>		
<b>Bodies</b>	18	18	18		
<b>Diffusers</b>	72	72	72		

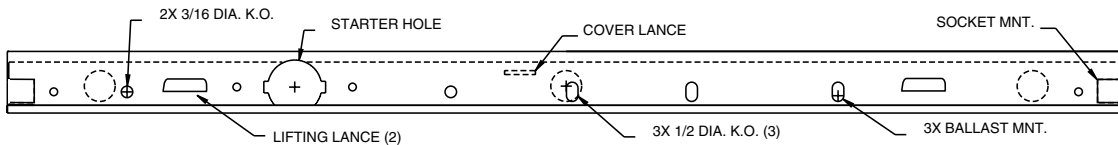


# SERIES 320

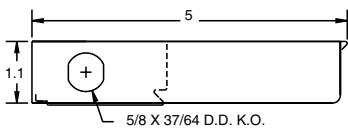
## SNAP-TOGETHER



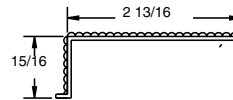
**TOP**  
WITHOUT DIFFUSER



**FRONT**



IDENTICAL ON  
OPPOSITE END



**DIFFUSER**  
RIBBED WHITE  
ACRYLIC

T-5	
SIZE	LENGTH
(1) 8W	12-3/16
(1) 13W	21-3/16
(1) 14W	22-19/32
(2) 8W (T)	24-7/16
8W+13W (T)	33-7/16
(1) 21W	34-7/16
(2) 13W (T)	42-7/16
(1) 28W	46-7/32

(T) Tandem

REV 3-1-05

