

# SERIES 315

## SNAP-TOGETHER



### Application

- Undercabinet
- Display
- Store Fixture
- Companion to Series 312, 318, 322 and 327

### Finish

- White

### Features

- Snap-Together body and ballast cover
- No fasteners
- Only 2 7/16" W x 1 1/32" H
- Designed for electronic Ballast
- K.O. for miniature rocker switch

### Lens Options

- Clear linear prismatic polycarbonate lens
- Clear linear prismatic acrylic lens

### Optional Features

Custom modifications in the physical specification and color are available for this fixture.

### Lamping Options

T12	T8	T5	CFL
-	-	(1) 6W	-
-	-	(1) 8W	-
-	-	(1) 13W	-
-	-	(1) 14W	-
-	-	(2) 8W (T)	-
-	-	8W+13W (T)	-
-	-	(1) 21W	-
-	-	(2) 13W (T)	-
-	-	(1) 28W	-
-	-	(1) 35W *	-

\* Special order

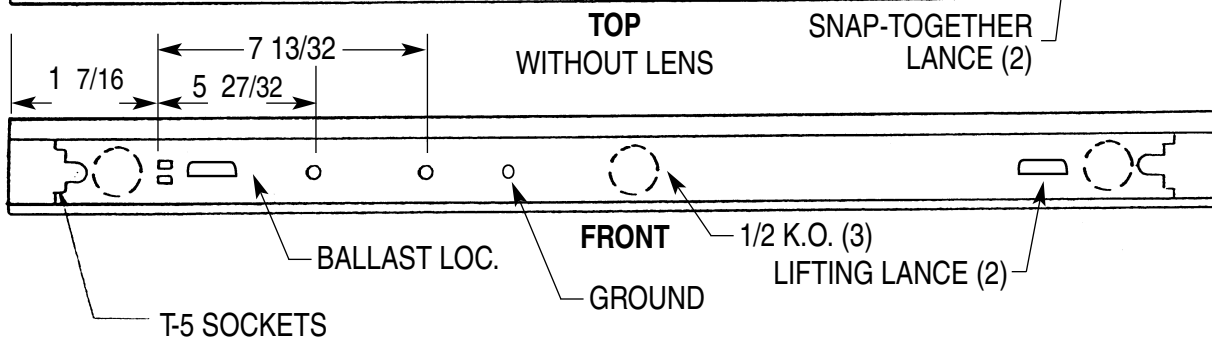
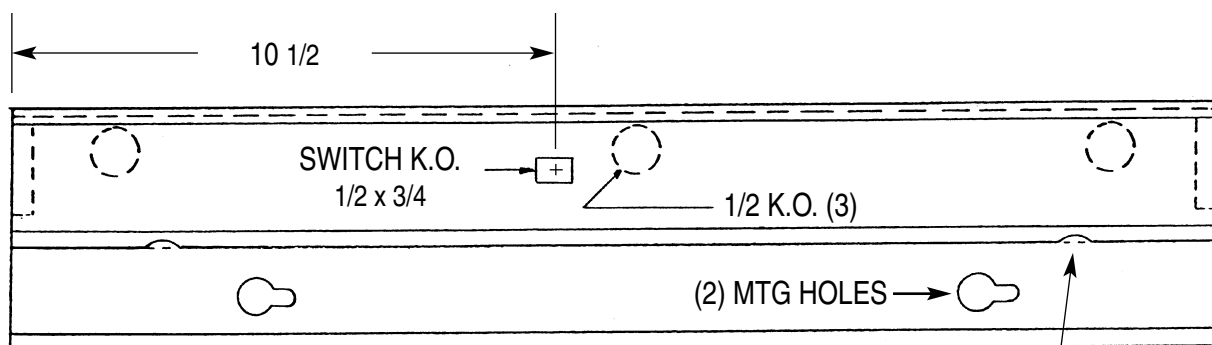
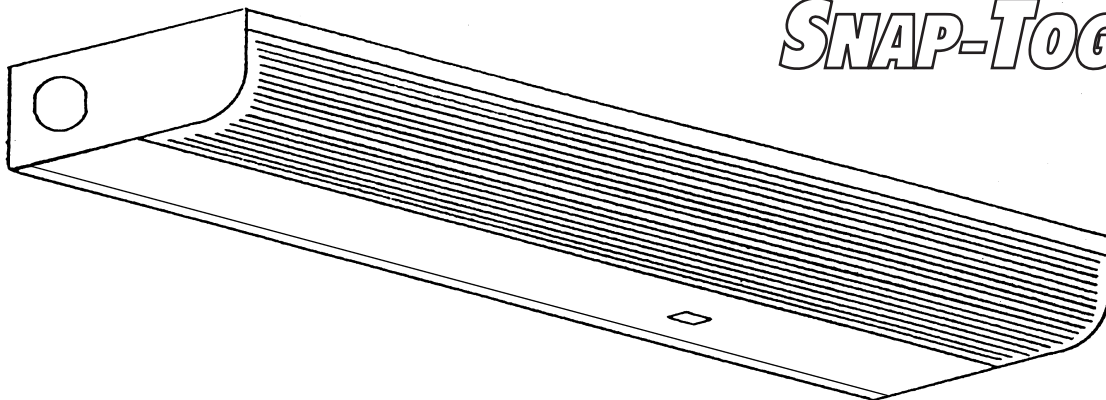
(T) Tandem

Packaging	6W	8W	13W	14W	(2) 8W	8+13W
<b>Bodies</b>	24	24	24	24	24	24
<b>Diffusers</b>	24	24	24	24	24	24
	<b>21W</b>	<b>(2)13W</b>	<b>28W</b>	<b>35W</b>		
<b>Bodies</b>	24	24	24	24		
<b>Diffusers</b>	24	24	24	24		

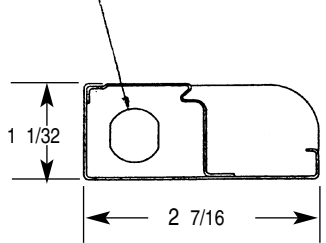


# SERIES 315

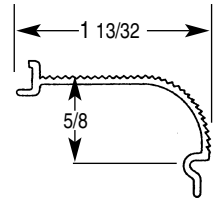
## SNAP-TOGETHER



5/8 DD K.O. BOTH ENDS



**END VIEW**



**LENS**  
LINEAR PRISMATIC-CLEAR ACRYLIC OR POLYCARBONATE

T-5	
SIZE	LENGTH
(1) 6W	9-9/32
(1) 8W	12-9/32
(1) 13W	21-9/32
(1) 14W	22-19/32
(2) 8W (T)	24-13/32
8W+13W (T)	33-13/32
(1) 21W	34-7/16
(2) 13W (T)	42-13/32
(1) 28W	46-7/32
(1) 35W	57-31/32

(T) Tandem

REV 3-1-05

