

# SERIES 312

## SNAP-TOGETHER



### Application

- Undercabinet
- Display
- Store Fixture
- Companion to Series 315, 318, 322 and 327

### Finish

- White

### Features

- Snap-Together body and ballast cover
- No fasteners
- Only 2 7/16" W x 1 1/32" H
- Designed for Electronic Ballast
- K.O. for miniature rocker switch

### Lens

- Clear linear prismatic polycarbonate lens

### Optional Features

Custom modifications in the physical specification and color are available for this fixture.

### Lamping Options

T2	T8	T5	CFL
(1) 6W	-	-	-
(1) 8W	-	-	-
(1) 11W	-	-	-
(1) 13W	-	-	-
(2) 8W (T)	-	-	-
8W+11W (T)	-	-	-
(2) 11W (T)	-	-	-
11W+13W (T)	-	-	-
(2) 13W (T)	-	-	-

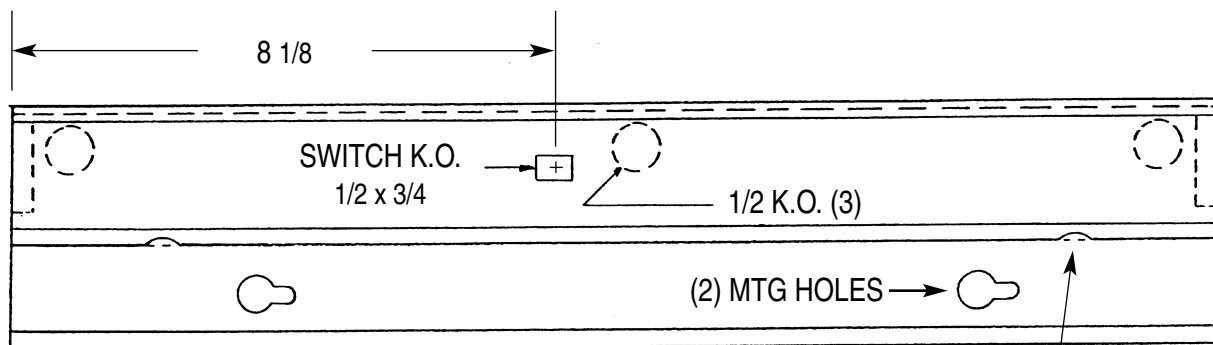
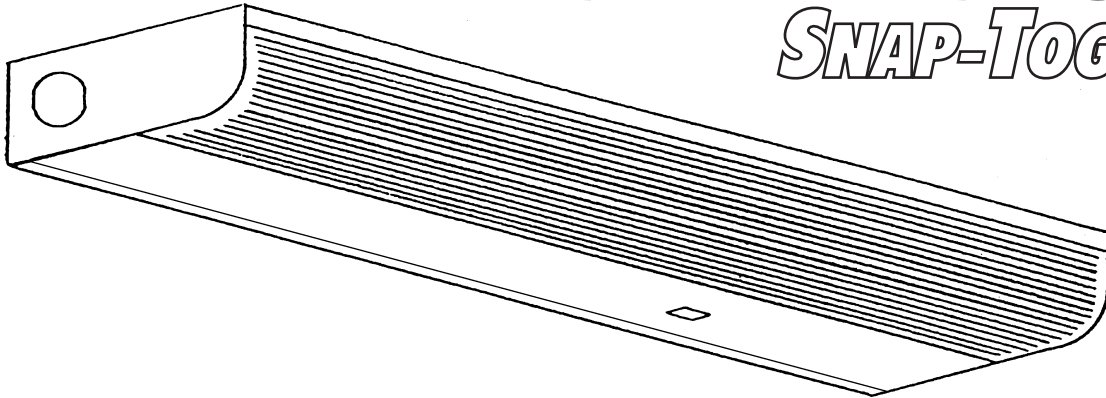
(T) Tandem

Packaging	6W	8W	11W	13W	(2)8W	8+11W
<b>Bodies</b>	24	24	24	24	24	24
<b>Diffusers</b>	24	24	24	24	24	24
<b>(2)11W 11+13W (2)13W</b>						
<b>Bodies</b>	24	24	24			
<b>Diffusers</b>	24	24	24			



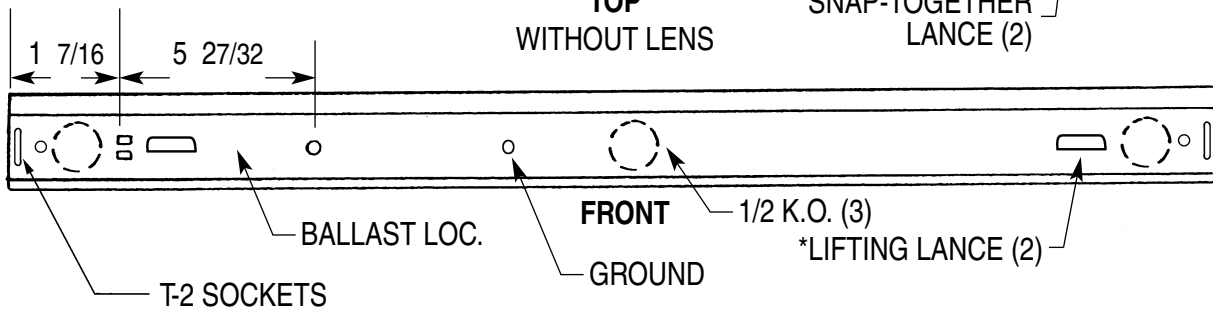
# SERIES 312

## SNAP-TOGETHER

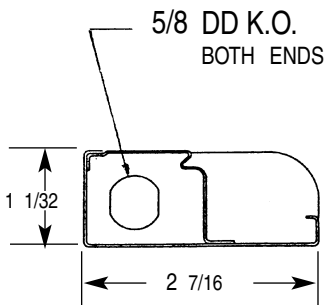


**TOP**  
WITHOUT LENS

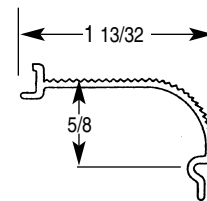
SNAP-TOGETHER  
LANCE (2)



**FRONT**



**END VIEW**



**LENS**  
LINEAR PRISMATIC  
CLEAR POLYCARBONATE

T-2	
SIZE	LENGTH
(1) 6W	9
(1) 8W	13
(1) 11W	17
(1) 13W	21
(2) 8W (T)	25-27/32
8W+11W (T)	29-27/32
(2) 11W (T)	33-27/32
11W+13W (T)	37-27/32
(2) 13W (T)	41-27/32

(T) Tandem

\* lifting lance to be added at a later date.

REV 3-1-05

