

SERIES 212

DESIGNED FOR
LED_s



Two Row LED Board
w/ Mouse Hole Ends



Optional T5 Lamps
w/ Tapped Hole Ends



Optional Motion & Sound Available



Application

- Wall or ceiling in corridors, stairwells, and bathrooms
- ADA Compliant - less than 4" off wall

Finishes

- White pre-painted steel
- All ends white powder coated

Diffuser Options

- Durayl® LED Acrylic - Smooth White - Standard
- Acrylic - Smooth white - Optional

Optional Features

- Slide-on and mouse hole ends available
- Baffles and dividers are available for up, down, and/or front light
- Ends with tapped holes to accommodate tamper-proof or regular screws
- Custom patterns for LED boards

Packaging	24"	46"	14W	21W	28W
Bodies	12	12	12	12	12
Diffusers	12	12	12	12	12

Lamping Options

LED	T5
(1 or 2) 24" (2 or 4) 46"	(1 or 2) 14w (1 or 2) 21w* (1 or 2) 28w

*Special Order

Custom modifications in the physical specification and color are available for this fixture.

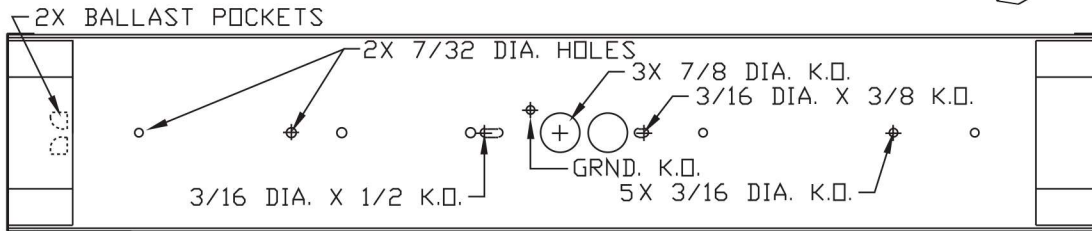
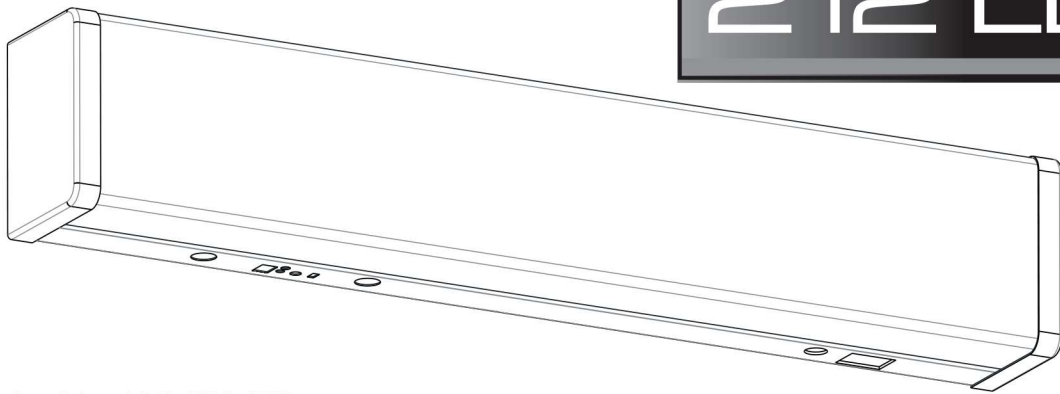
Specifications subject to change without notice.



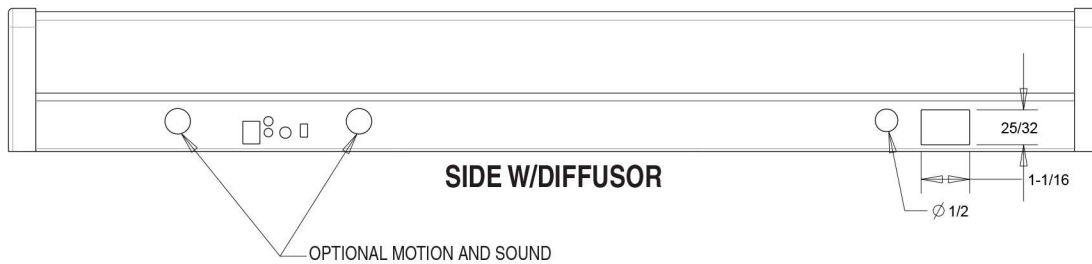
Adam Metal Products Company • P.O. Box 450 • Ledgewood, NJ • 07852
Phone: 973.770-1100 • Fax 973.770-1105 • www.adammetal.com



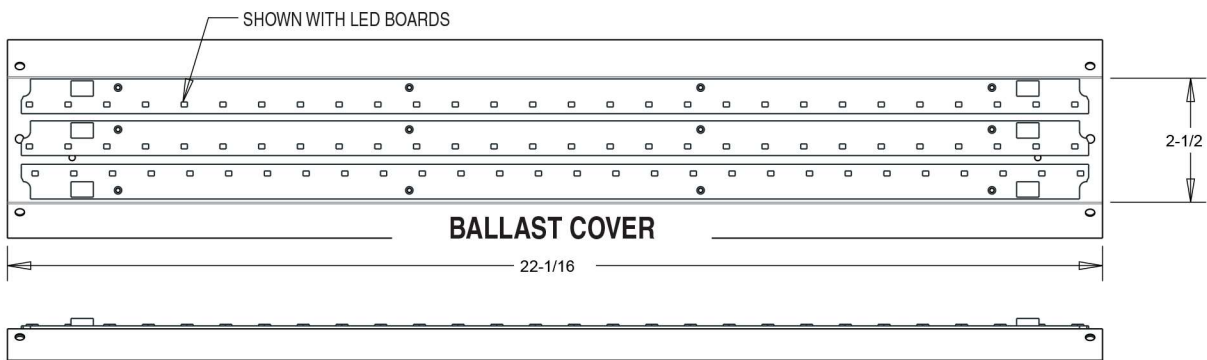
SERIES 212 LED



TOP



SIDE W/DIFFUSOR

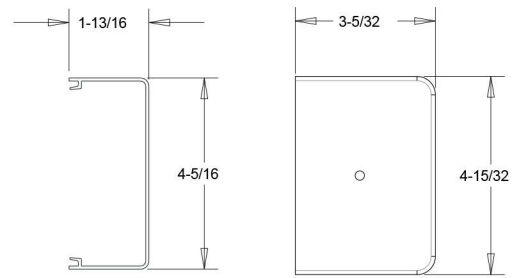


BALLAST COVER



T5	
SIZE	LENGTH
(1 or 2) 14W	22 5/8
(1 or 2) 21W*	34 7/16
(1 or 2) 28W	46 1/4

LED	
SIZE	LENGTH
(1 or 2) 22" Boards	24 1/4
(2 or 4) 22" Boards	46 1/4



LENS

END

*Special order

Specifications subject to change without notice.

Rev 3-27-2020



Adam Metal Products Company • P.O. Box 450 • Ledgewood, NJ • 07852
Phone: 973.770-1100 • Fax 973.770-1105 • www.adammetal.com

